

Huawei B2368

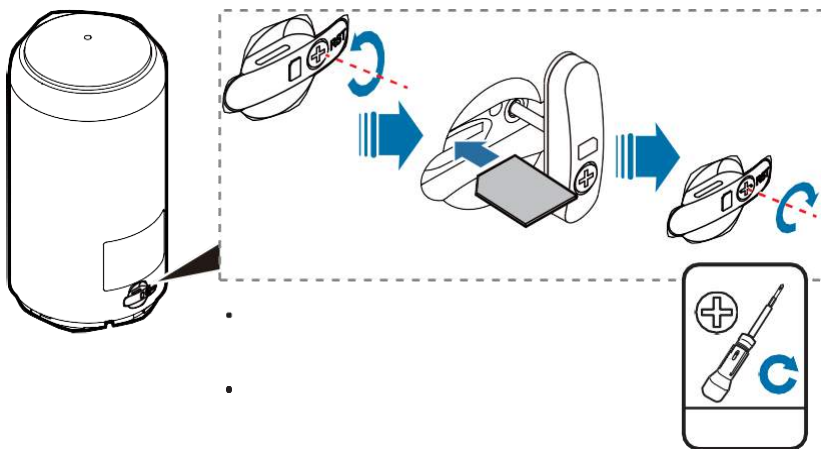
Išorinė antena: Huawei B2368-F20 outdoor router.



Komplektacijoje rasite:

- Greito paruošimo instrukcija (anglų kalba)
- Anteną
- Montavimo stovą
- Montavimui reikalingas dalis
- Maitinimo bloką su laidu
- Interneto laidą

Norint pradėti naudotis įranga pirmiausia reikės įdėti SIM kortelę į anteną:



Sekantis žingsnis yra sujungti modemą su maitinimo bloku interneto laidu:



Svarbu: su interneto laidu reikia sujungti antenos apačioje esančią jungtį su maitinimo bloko mėlyna jungtimi WAN/PWR (abi jungtys pažymėtos raudonai viršuje esančiuose paveikslukuose).

Sekantis žingsnis yra sujungti maitinimo bloko baltą jungtį (LAN) su modemo LAN/WAN jungtimi naudojant interneto laidą.



Svarbu: būtinai reikia jungti į LAN/WAN jungtį.

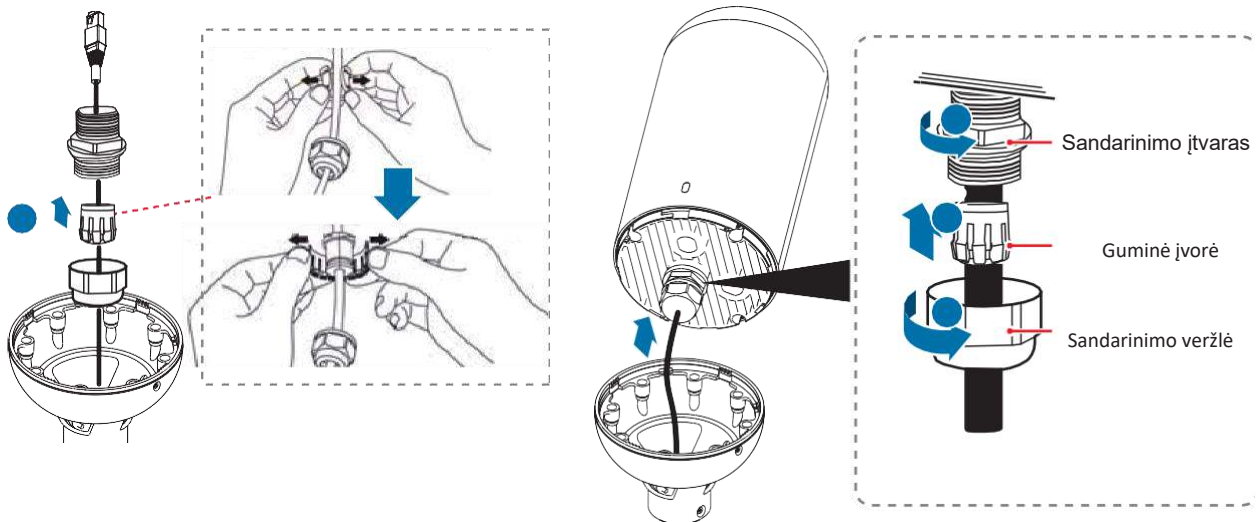
Komplektacijoje taip pat yra montavimo stovas, montuojamas prie sienos arba prie stulpo.



Prie jo būna pritvirtinti montavimo varžtai, o atskirai pakuotėje bus metaliniai dirželiai, naudojami tvirtinimui prie stulpo.




Prieš galutinai pritvirtinant yra svabu įmontuoti jungtį, kuri yra atspari vandeniui, kad įranga nebūtų pažeista.



Komplektacijoje pridedama instrukcija atrodo taip:

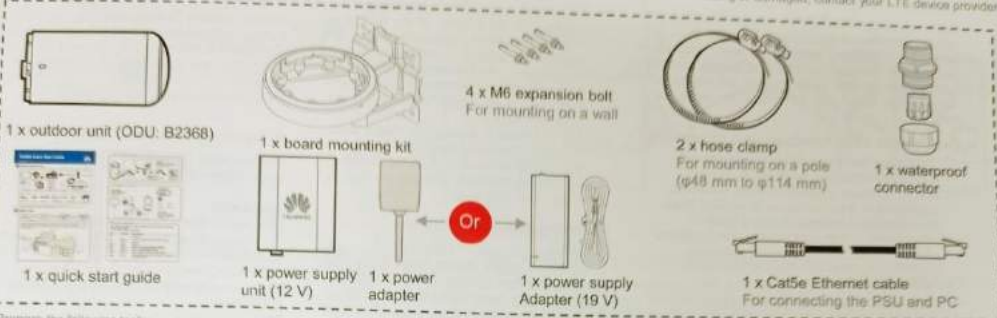
B2368 Quick Start Guide

Part Number: 31071141
Issue: 05




1 Installation Materials and Tools

Packing list: Before installing the CPE, verify that you have all the items listed in the packing list. If any of the items is missing or damaged, contact your LTE device provider.



- 1 x outdoor unit (ODU: B2368)
- 1 x board mounting kit
- 4 x M6 expansion bolt
For mounting on a wall
- 2 x hose clamp
For mounting on a pole (φ48 mm to φ114 mm)
- 1 x waterproof connector
- 1 x quick start guide
- 1 x power supply unit (12 V)
- 1 x power adaptor
- 1 x power supply Adapter (19 V)
- 1 x Cat5e Ethernet cable
For connecting the PSU and PC

Prepare the following tools:



- M6 inner hexagon wrench
- Screwdriver
- Adjustable wrench
- Cat5e Ethernet cable¹
For connecting the ODU and PSU
- Rubber hammer
Optional for mounting on a wall
- Percussion drill

If you need to install mounting kits on wood materials, prepare screws (recommended model: ST4.2 with length ≥ 25 mm).
¹ An outdoor Ethernet cable requires a PVC conduit and must be installed far away from the parapet and lightning strip (recommended distance: more than 0.5 m).
If an Ethernet cable is routed within a street lamp pole, no PVC conduit is required.

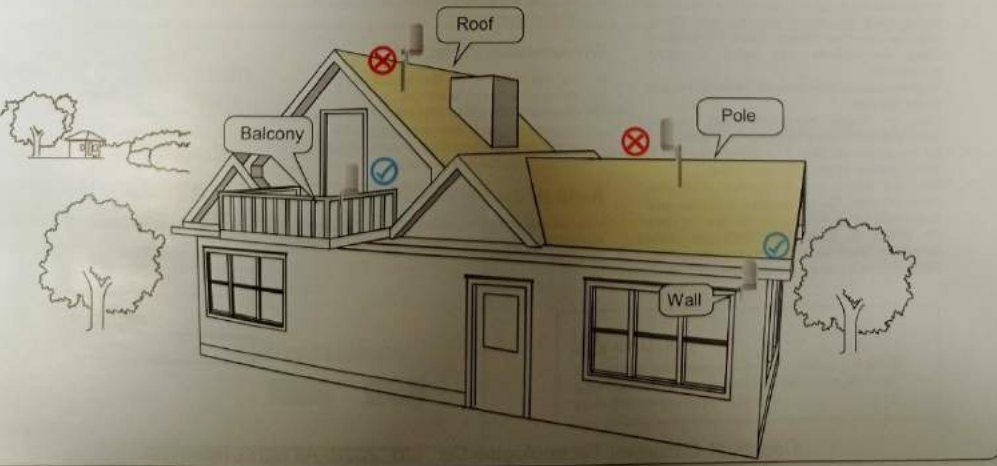
2 Installation Location Selection

1. Find an installation area.
2. Insert the SIM card.
3. Connect cables and power on the device.
4. Select a location with best signal quality.

1. Find an installation area.

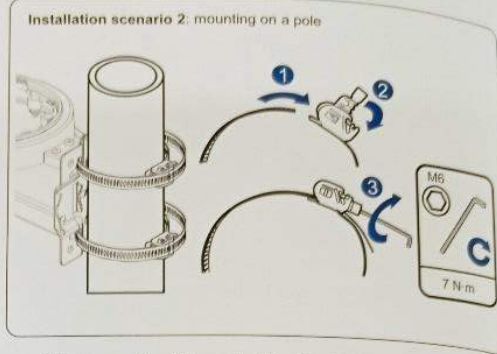
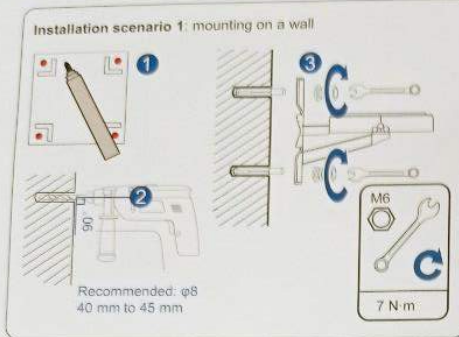
An ODU is an LTE wireless signal reception and transmission unit. Pay attention to the following points when selecting an installation location:

- You are advised to install an ODU in a recommended location, such as a balcony or a wall shown in the following figure.
- You are advised not to install an ODU on an open rooftop or platform, as indicated by red crosses in the following figure. Otherwise, ODU performance deteriorates.

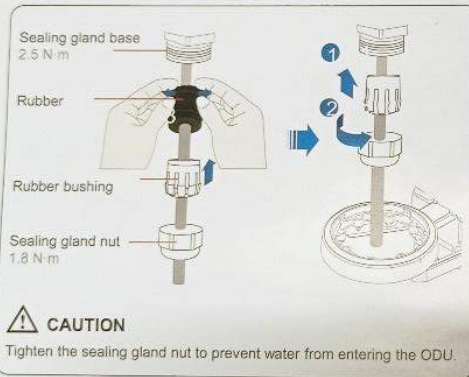


3 ODU Installation

1 Install mounting kits. (For the board component, go to step 3 after step 1 is completed.)



2 Connect the waterproof connector and ODU. Install components for the waterproof connector in the sequence shown in the following figure.



3 Align mounting kits and rotate the device clockwise in the lock direction until it fully stops. Determine the direction of the ODU indicator as required. You can rotate the ODU counterclockwise to remove it.



5 Connect ODU and PSU and power on the ODU. See step 3 (Connect cables and power on the device) in part 2 Installation Location Selection.

CAUTION

The ODU must be powered on within 24 hours after unpacking. The ODU must not be powered off for 24 hours or longer during maintenance.

4 (Optional) Configuration

Users can access the WebUI and configure the device using the following method:
Open a web browser on a PC and enter the IP address in the address bar. Then, enter the user name and password. The information you need is as follows.

Log In

User name

Password

Forgot password

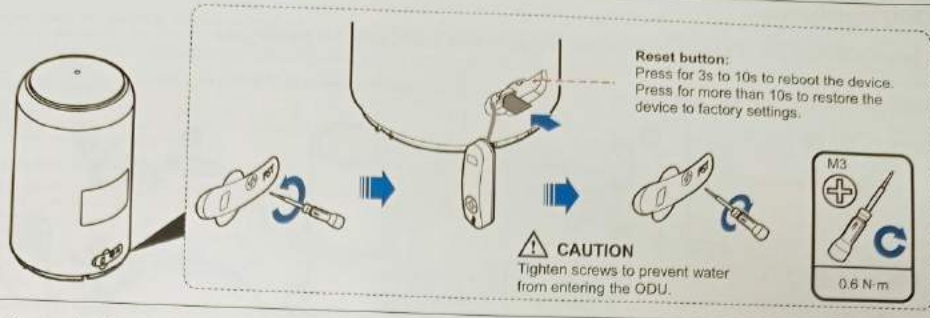
Log In Cancel

IP address: 192.168.192.1
User name: user
Password: LTE@Endusr

CAUTION

It is strongly recommended that you change the default login password of the WebUI to prevent unauthorized users from changing the settings.

2. Insert a micro-SIM (3FF) card to the ODU.



3. Connect cables and power on the device.

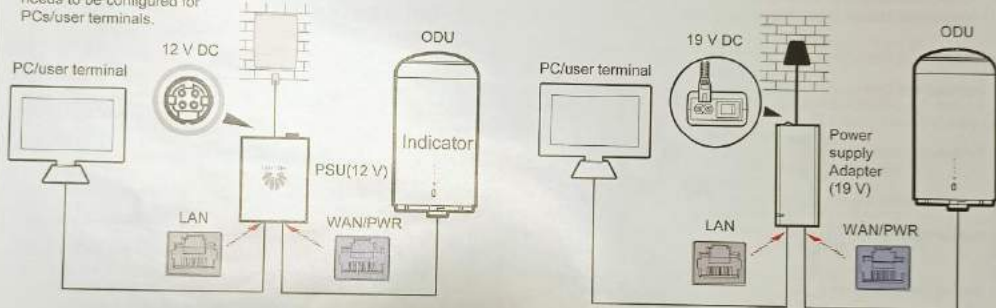
Either a 12 V or 19 V power adapter can be used by the B2368.

Scenario 1: 12 V PSU

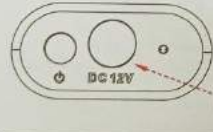
Scenario 2: 19 V Power Supply Adapter

CAUTION

Automatic IP address obtaining needs to be configured for PCs/user terminals.



PSU Indicators



Pressed	Powered on
Released	Powered off

CAUTION

The WAN/PWR interface can be connected to only the ODU. This interface may damage the PCs or other devices.

4. Select a location with best signal quality.

- Move the ODU in the installation area. Observe the signal indicator to select a location with best signal quality (**strong LTE signals**).
- For other indicator statuses, see the following table.

Color	LED Status	Status Indication
Off		Powered off
Red	Steady on	An error occurs, the device is faulty, or there is no SIM card.
	Blinking	Upgrading
Green	Blinking	Booting up
Green	Steady on	Strong LTE signals; recommended for installation
Blue	Steady on	Medium LTE signals; suitable for installation
Yellow	Steady on	Weak LTE signals; recommended for location reselection
Yellow	Blinking	No LTE signals are available, the device is searching for signals, or the device is disconnected.